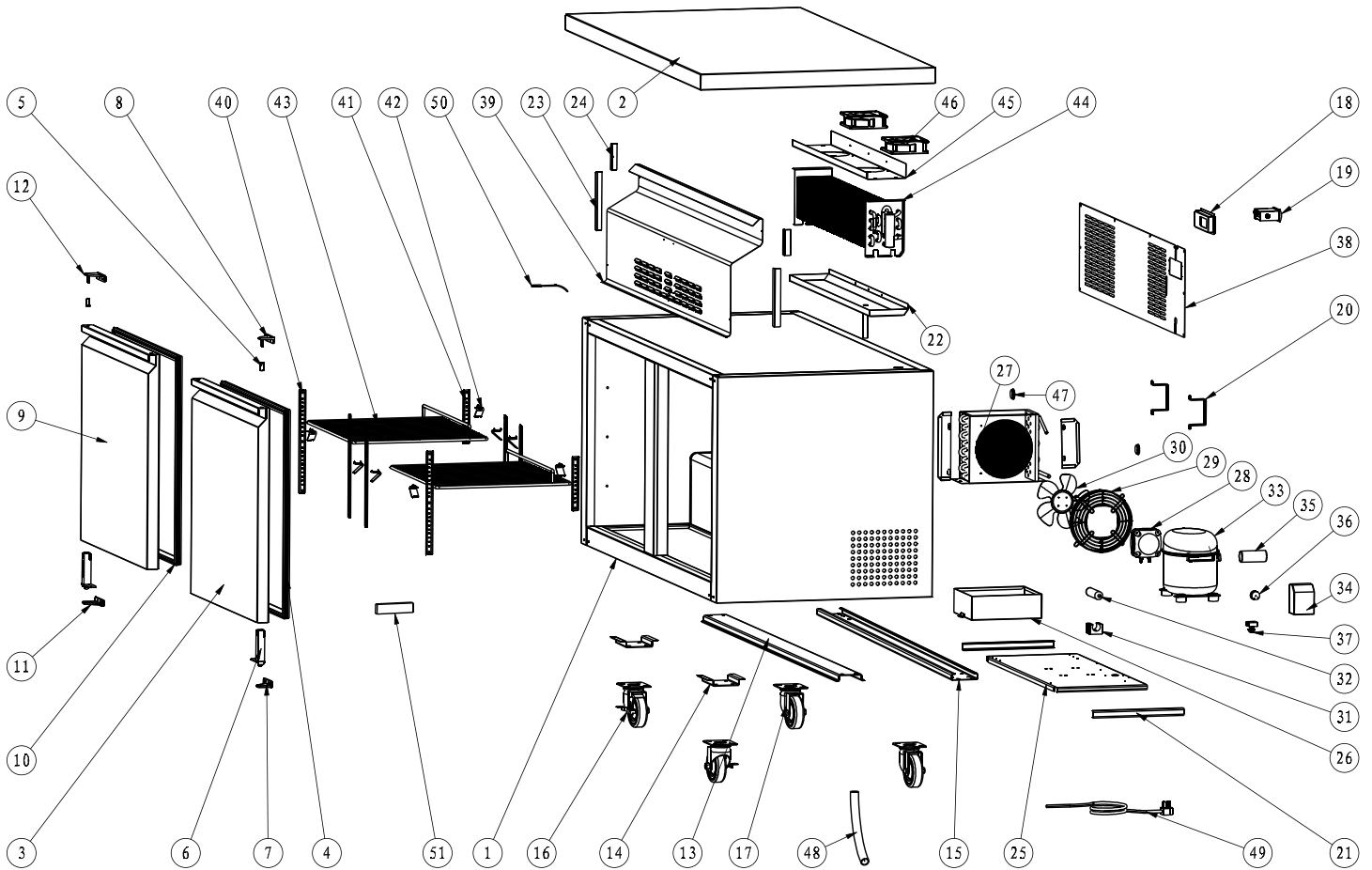


Parts Breakdown

Model RE-CN-0011-BS-HC 50097



Parts Breakdown

Model RE-CN-0011-BS-HC 50097

Item No.	Description	Position	Item No.	Description	Position	Item No.	Description	Position
AF743	Cabinet for 50097	1	AB320	Thermostat Installation Board for 50097	18	AF750	Back Grill for 50097	38
AF744	Top Board for 50097	2	27185	Carel Temperature Controller PYGX1Z0501 for 50097	19	AF751	Evaporator Cover for 50097	39
AF745	Right Door for 50097	3	AF080	Stand Off Bracket for 50097	20	AF090	K Strip-3 Holes for 50097	40
AB197	Gasket for 50097	4, 10	AF085	Compressor Unit Track for 50097	21	AF089	K Strip-2 Holes for 50097	41
AA388	Axis Cover for 50097	5	AF749	Inner Drain Pan for 50097	22	26884	K Clip for 50097	42
AA955	Left/Right Spring Hinge for 50097	6	AF738	Evaporator Cover Sticker for 50097	23	AB220	Shelf for 50097	43
AA360	Hinge T for 50097	7	AF739	Evaporator Cover Sticker for 50097	24	AB221	Evaporator for 50097	44
AF070	Hinge X for 50097	8	AF106	Compressor Unit Installation Board for 50097	25	AF752	Fan Motor Installation Board for 50097	45
AF746	Left Door for 50097	9	AA874	Outer Drain Pan for 50097	26	AE901	Evaporator Fan Motor for 50097	46
61468	Hinge V for 50097	11	AB213	Condenser for 50097	27	AB169	Foaming Hole Cover for 50097	47
AB200	Hinge W for 50097	12	AF030	Evaporator Fan Motor for 50097	28	AA133	Drain Hose for 50097	48
AF747	Castor Support B for 50097	13	AA207	Condenser Fan Motor Cover for 50097	29	AA135	Power Cord for 50097	49
AF734	Castor Support C for 50097	14	AA208	Condenser Fan Blade for 50097	30	AA379	Temperature Probe for 50097	50
AF748	Castor Support A for 50097	15	AB595	Filter Fixer for 50097	31	AA596	Thermometer for 50097	51
26246	Caster with Brake for 50097	16	AB594	Filter D25x160-B for 50097	32			
26247	Caster without Brake for 50097	17	AE906	Compressor for 50097	33			